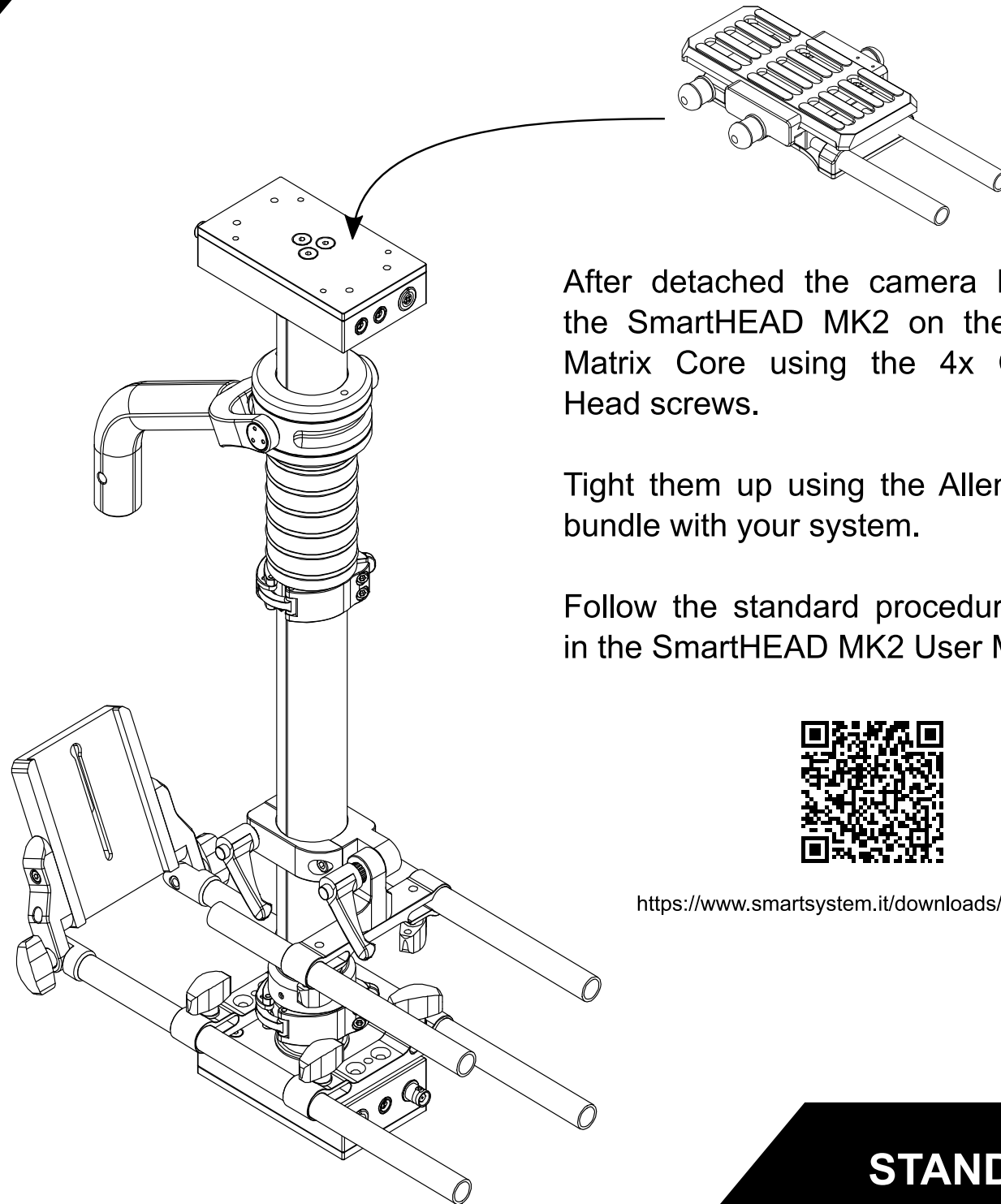


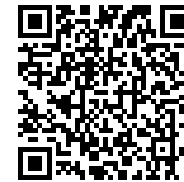
STEP 1/4



After detached the camera Plate, install the SmartHEAD MK2 on the top of the Matrix Core using the 4x Countersunk Head screws.

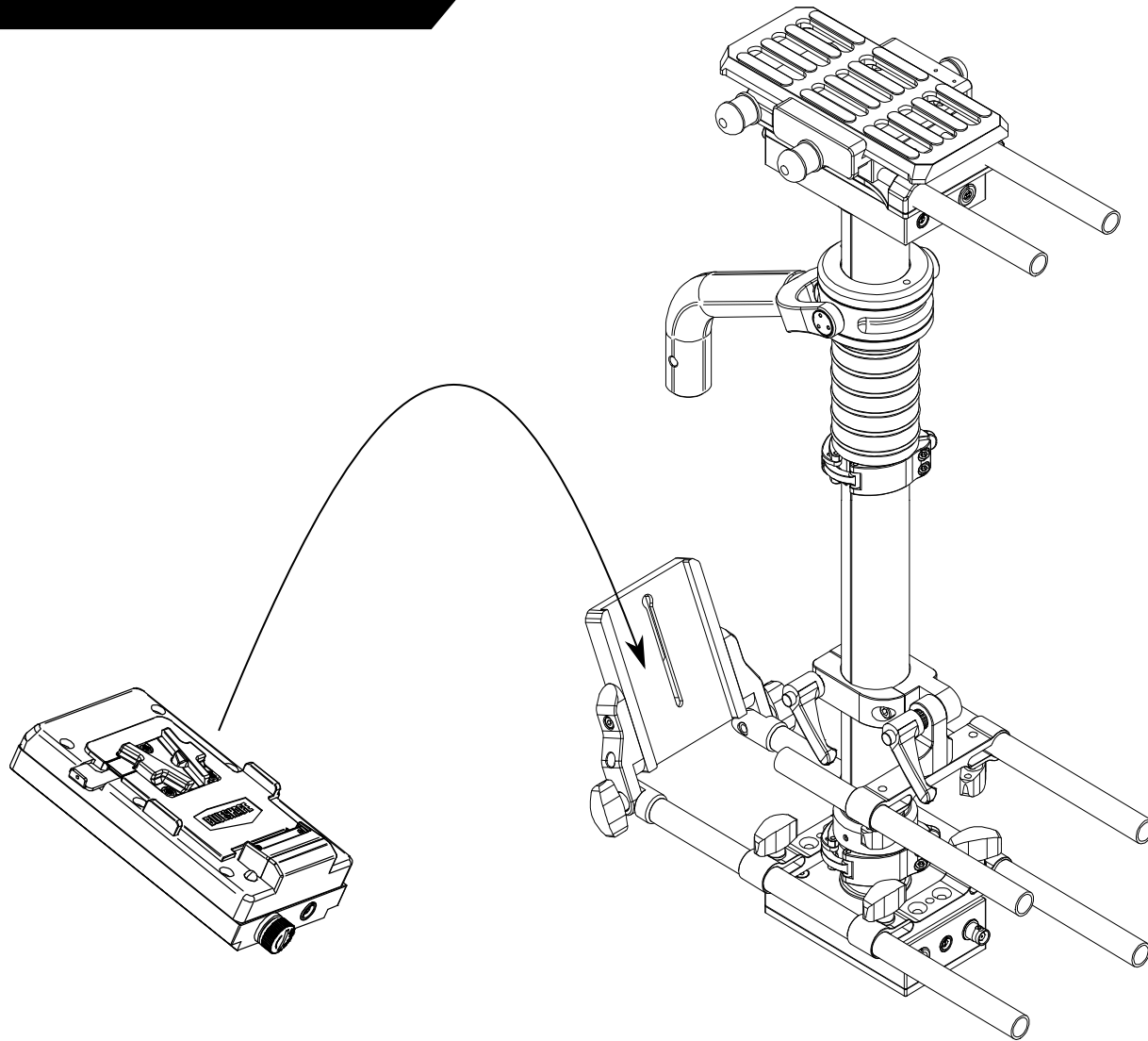
Tight them up using the Allen Key n.3 in bundle with your system.

Follow the standard procedure as written in the SmartHEAD MK2 User Manual

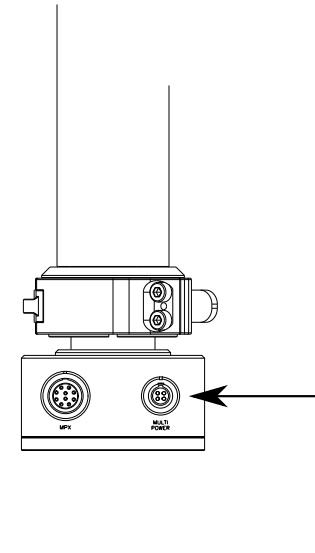


<https://www.smartsystem.it/downloads/?ofdl=9456>

STEP 2/4

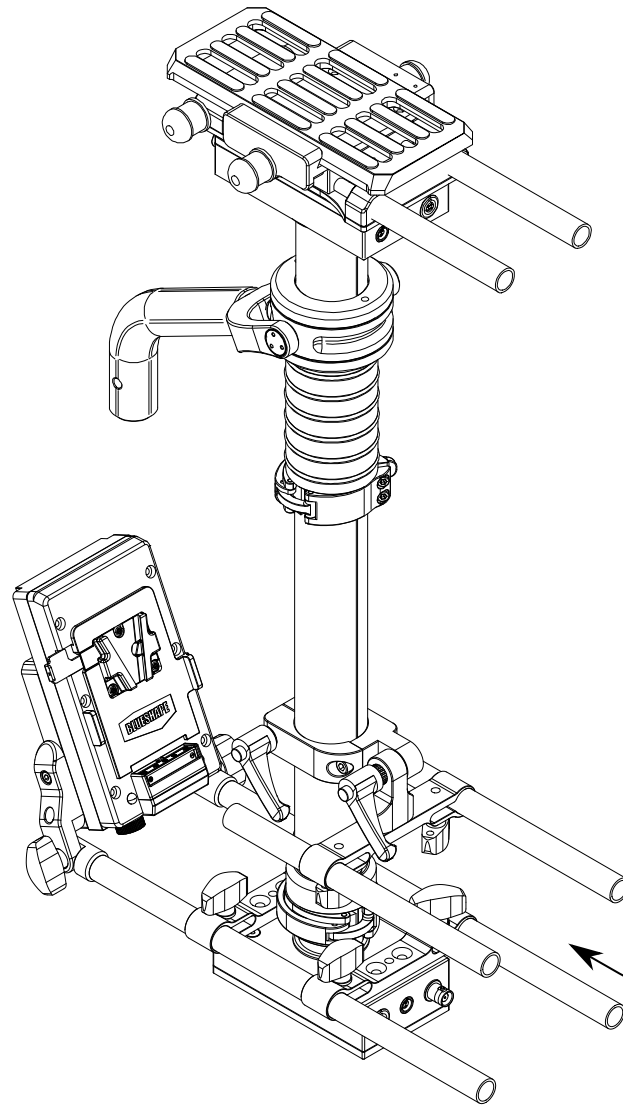


Slide into the universal battery adapter, the Vlock plate module and fix it to the adapter using one or two Photo Screws (1/4"-20 UNC) in bundle with your kit.



Connect the Battery module to the sled (MULTI POWER INPUT) using the specific cable (2 pin to 4 pin cable)

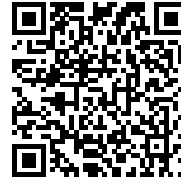
STEP 3/4



Slide into the carbon fiber rods
the LCD Monitor mount

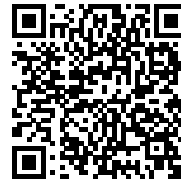
STEP 4/4

Take a look to the manual
for the Core of your Matrix
Sled



<https://www.smartsystem.it/downloads/?ofdl=9454>

or to the its wiring diagram



<https://www.smartsystem.it/downloads/?ofdl=9545>

