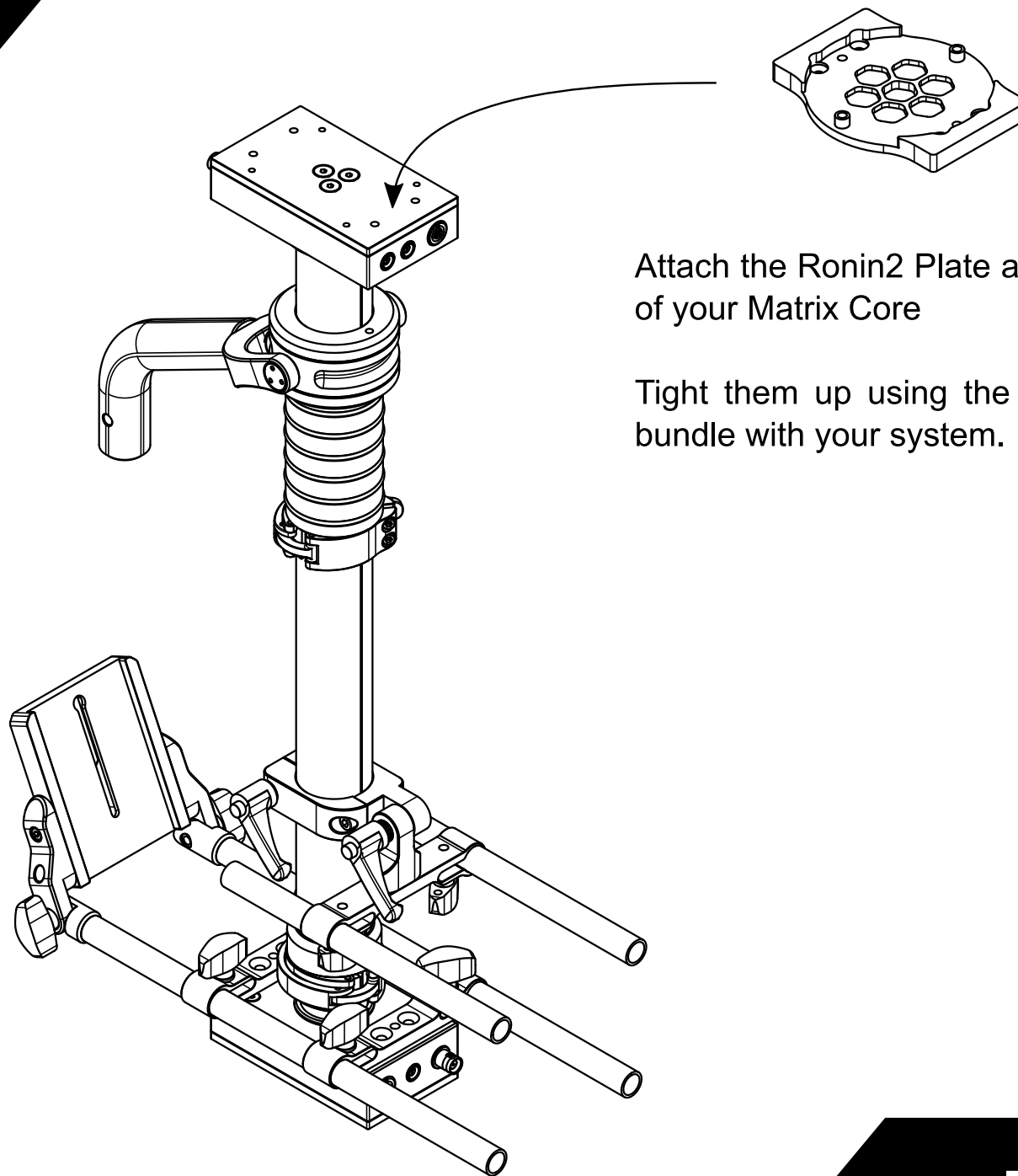


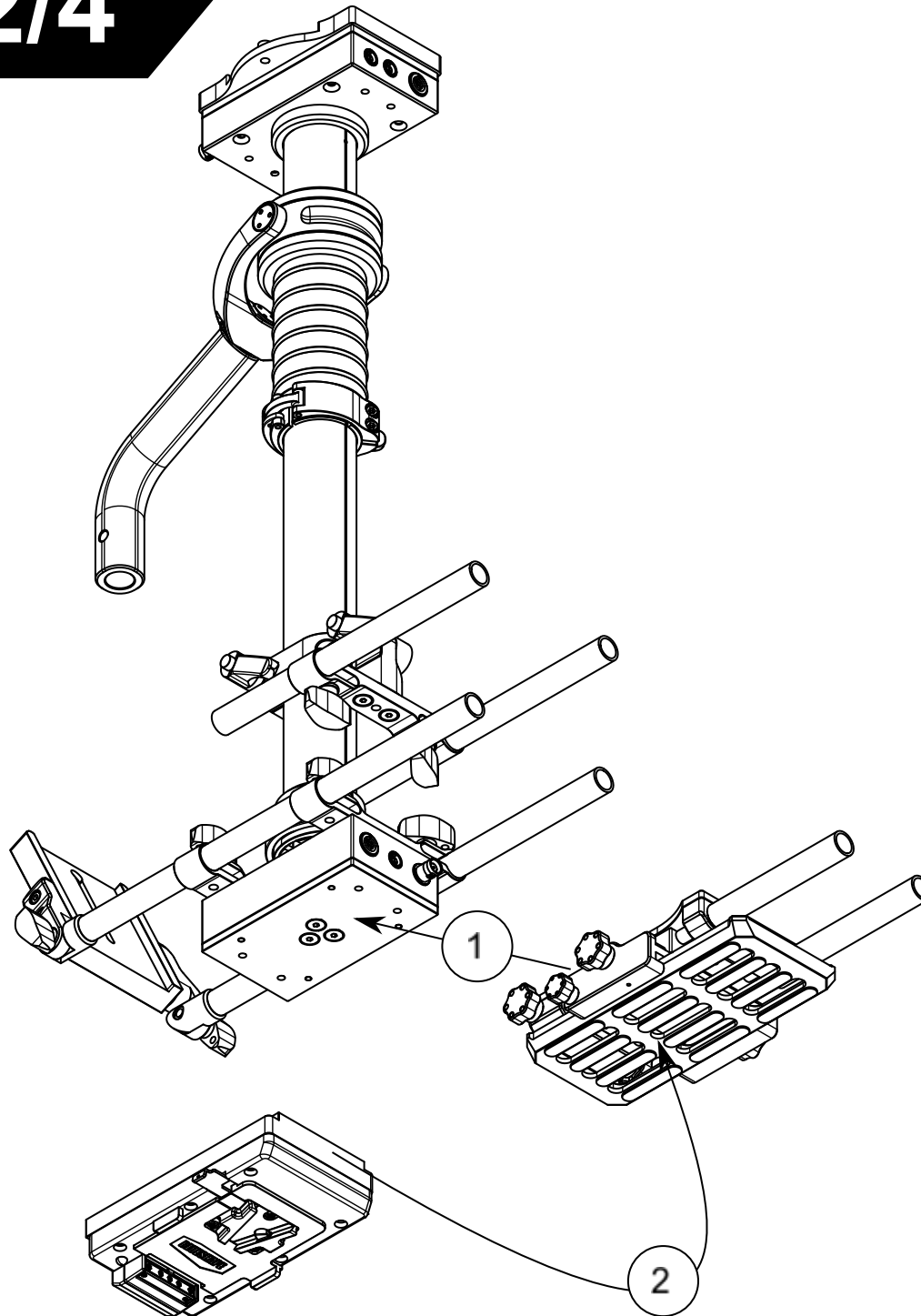
# STEP 1/4



Attach the Ronin2 Plate adapter on the top of your Matrix Core

Tight them up using the Allen Key n.3 in bundle with your system.

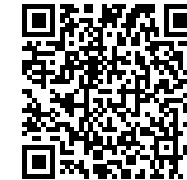
# STEP 2/4



1) With camera plate detached, install the SmartHEAD MK2 on the bottom of the Matrix Core using the 4x Countersunk Head screws.

Tight them up using the Allen Key n.3 in bundle with your system.

Follow the standard procedure as written in the SmartHEAD MK2 User Manual

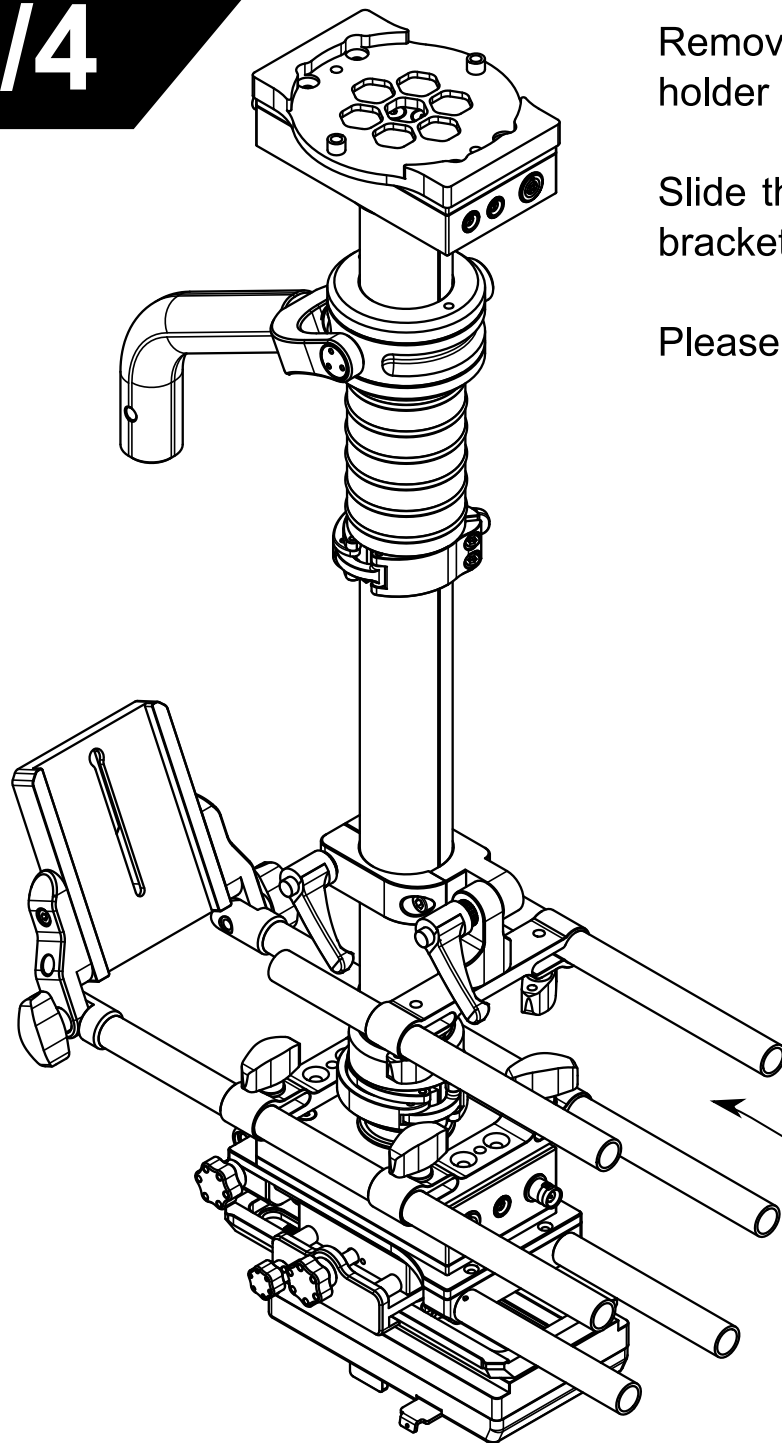


<https://www.smartsystem.it/downloads/?ofdl=9456>

2) Mount the Vlock Adapter on the Smarthead MK2 Camera plate and slide into the head.

In this way you'll can use a Vlock Battery as counterweight and above all you'll can micrometrically counterbalance the residual imbalances of Ronin2

# STEP 3/4



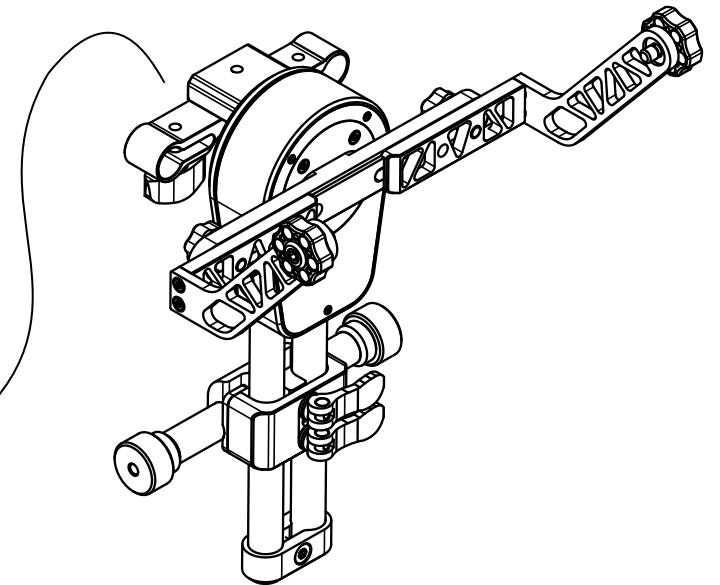
Remove any additional bracket mounted on the Monitor holder rods and slide in the Horizon System.

Slide the Horizon bracket until the rods are flush with the bracket. Tight firmly the Bracket knobs

Please refer to Horizon Manual about its working



<https://www.smartsystem.it/downloads/?ofdl=9456>



# STEP 4/4

Mount on the Ronin2 Adapter, your pre-balanced Ronin2 and lock the Pan movement with the Yaw Locker in bundle with your System.

Please use the Vlock Battery mounted at the bottom of the sled to micrometrically counterbalance the imbalances you'll probably get after mounted the Ronin2 on the Sled.

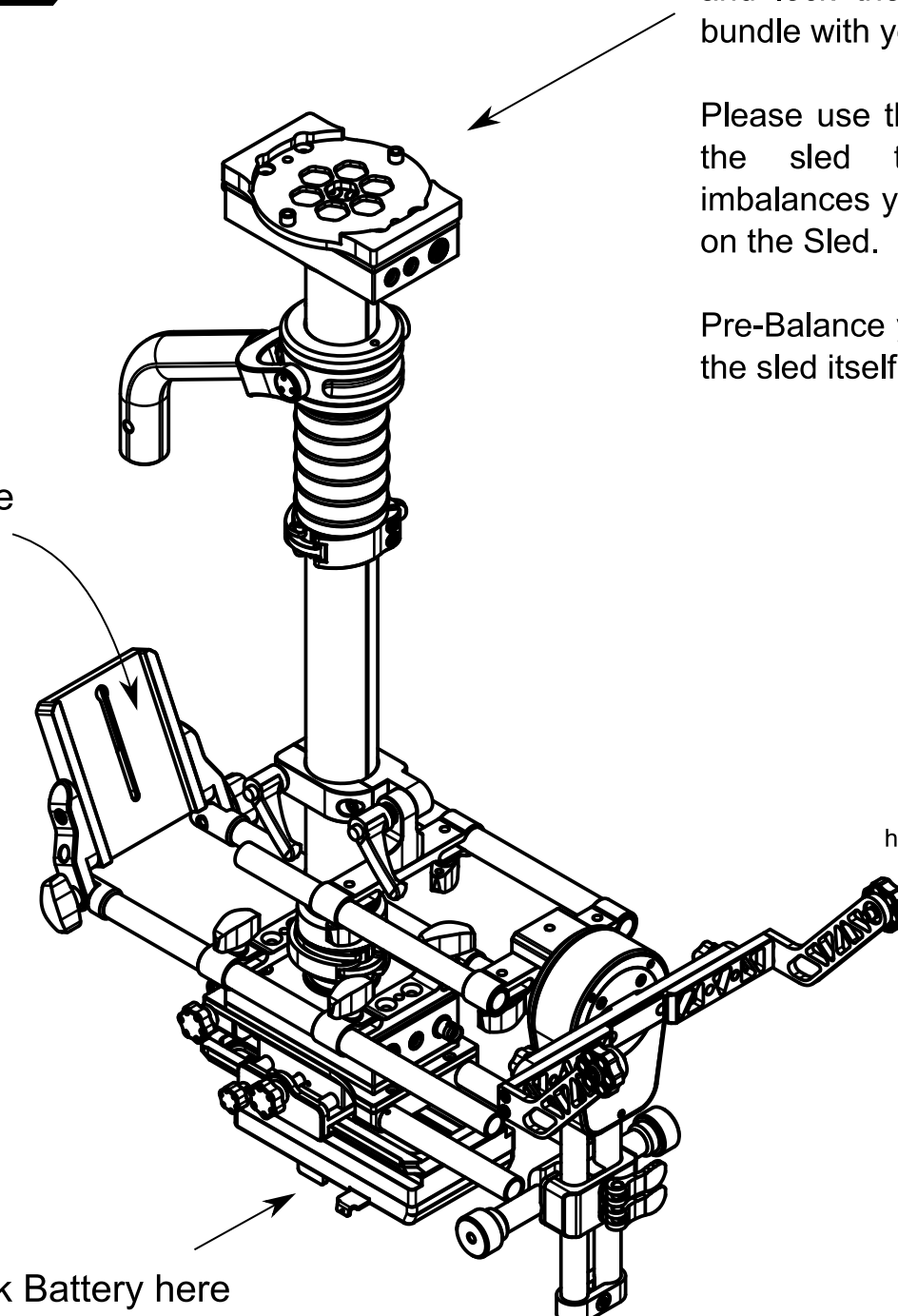
Pre-Balance your monitor on the Horizon before balance the sled itself.

You can follow this video to get information about how to balance Horizon system

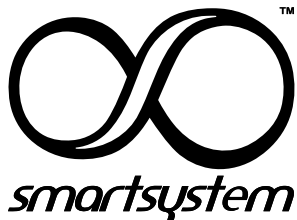


<https://www.smartsystem.it/how-to-balance-smartcam-horizon/>

Ronin2 Battery holder here



Vlock Battery here



**RONIN MODE**